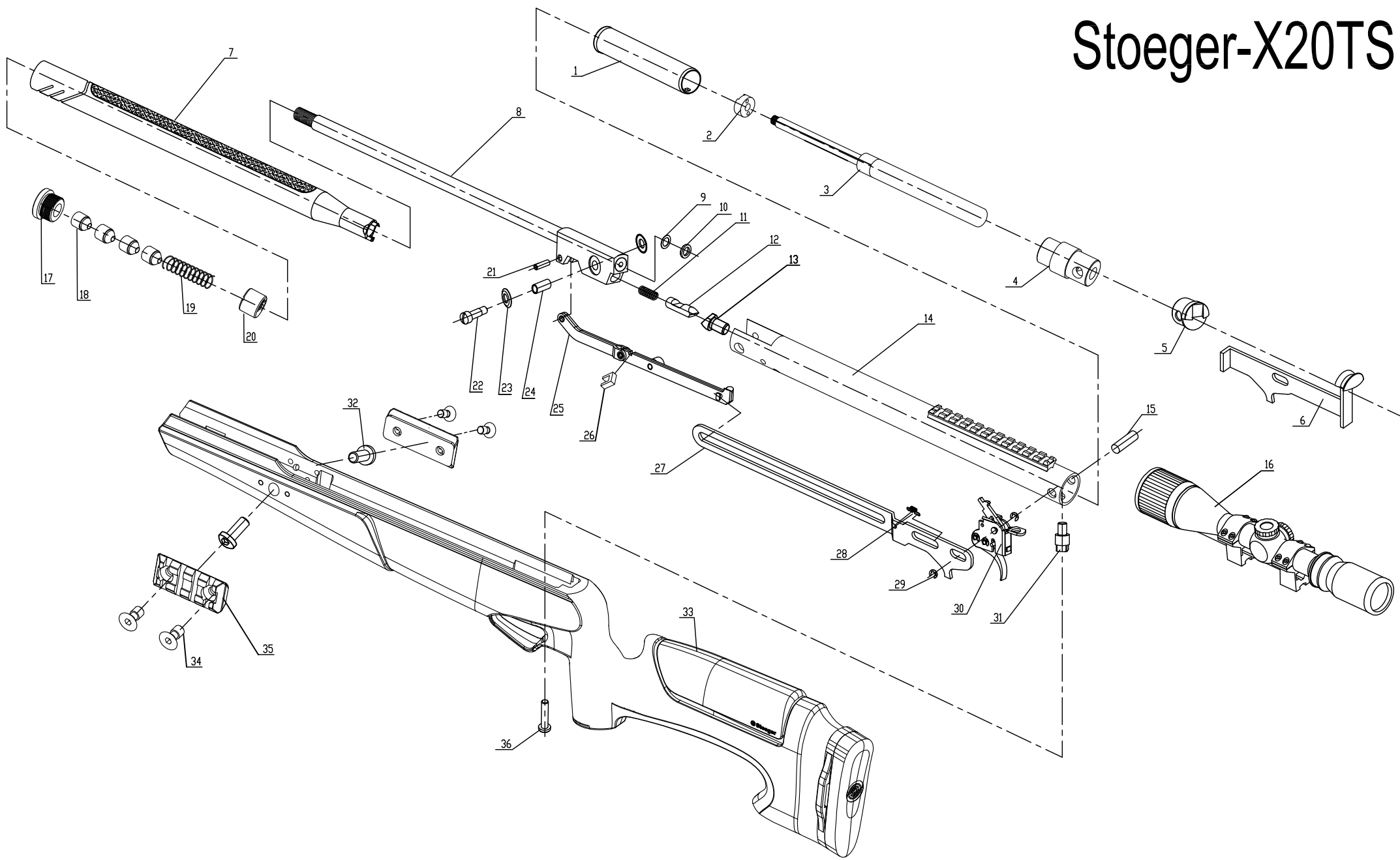


# Stoeger-X20TS



No.	Code Name	Part Name	X20TS Beretta	Easy-broken parts 2% free	Revised Date
1a	B19-22-04-00A	Piston Assembly	1	Y	
1b	B19-22-04-00A(4.5-7.5J)	Piston Assembly	1	Y	just for the model which remark "7.5J"
1c	B19-22-04-00A(5.5-7.5J)	Piston Assembly	1	Y	just for the model which remark "7.5J", ".22cal"
1d	B19-22-04-00A (4.5-10J)	Piston Assembly	1	Y	just for the model which remark "10J"
1e	B19-22-04-00A (5.5-10J)	Piston Assembly	1	Y	just for the model which remark "10J", ".22cal"
1f	B19-22-04-00A (5.5-16J)	Piston Assembly	1	Y	just for the model which remark "16J", ".22cal"
2	B19-22-00-21	Gas Spring Head	1	Y	
3a	B19-22-00-19A	Gas Spring	1		
3b	B19-22-00-22(16J)	Gas Spring	1		just for the model which remark "16J",
4	B19-22-00-17B	Spring Guide Assembly	1		
5	B19-19-00-4	Tube Cover	1	Y	
6	B19-19-07-00	Safety Assembly	1	Y	
7	X20S2-00-1	Muzzle Break	1	1	
8a	X20S2-01-100	Barrel Assembly 4,5mm	1	1	
8b	X20S2-01-100(5.5)	Barrel Assembly 5,5mm	1	1	
9	B22-00-1A	Adjust Washer	0-2		
10	B12-00-14	Breach Seal	1	Y	
11	CY6M77-01-4	Spring	1		
12	B18-01-2B	Alive Jam	1	Y	
13	B18-00-2	Detent	1		
14	B19-23-02-00B	Tube Assembly	1		
15	B18-00-7	Tube Pin	1		
16	4-16*40AO 2Rings mount	Scope with 2rings mount	1		
17	B19-21-00-1	Sleeve Cover	1	Y	
18	B19-21-00-2	Silencer Muzzle	4		
19	B19-21-00-3	Silencer Spring	1		
20	X20S2-00-2	Lock Nut	1	Y	
21	B12-00-1B	Lever Pin	1	Y	
22	B19-2-00-2A	Break Bolt	1	Y	
23	B18-00-15B	Break Washer	2	Y	
24	B18-01-1C	Break Bushing	1		
25	B19-22-03-00	Lever Assembly	1		
26	B22-00-13	Lever cutting sleeve	1	Y	
27	B18-00-5B	Bear trap Lever	1	Y	
28	B19-19-00-5	Bear trap S pring	1		
29	GB896-86 3	Bear trap Bolt	2	Y	
30	B19-19-05-00	Trigger Pack Assembly	1		
31	B18-00-9	Stock Bolt	1	Y	
32	GB/T 818-2000 M5X14	Small pan head screws (Nylok)	2	Y	
33	B19-22-06-00	Synthetic Stock Assembled	1		Include one Stock pad and two screws
34	B19-22-00-16	Hexagon socket countersunk head screws	4		
35	B19-22-00-15	Long side plate	2	Y	
36	GB 823-88 M6X20	Pan head screws (Nylok)	1	Y	