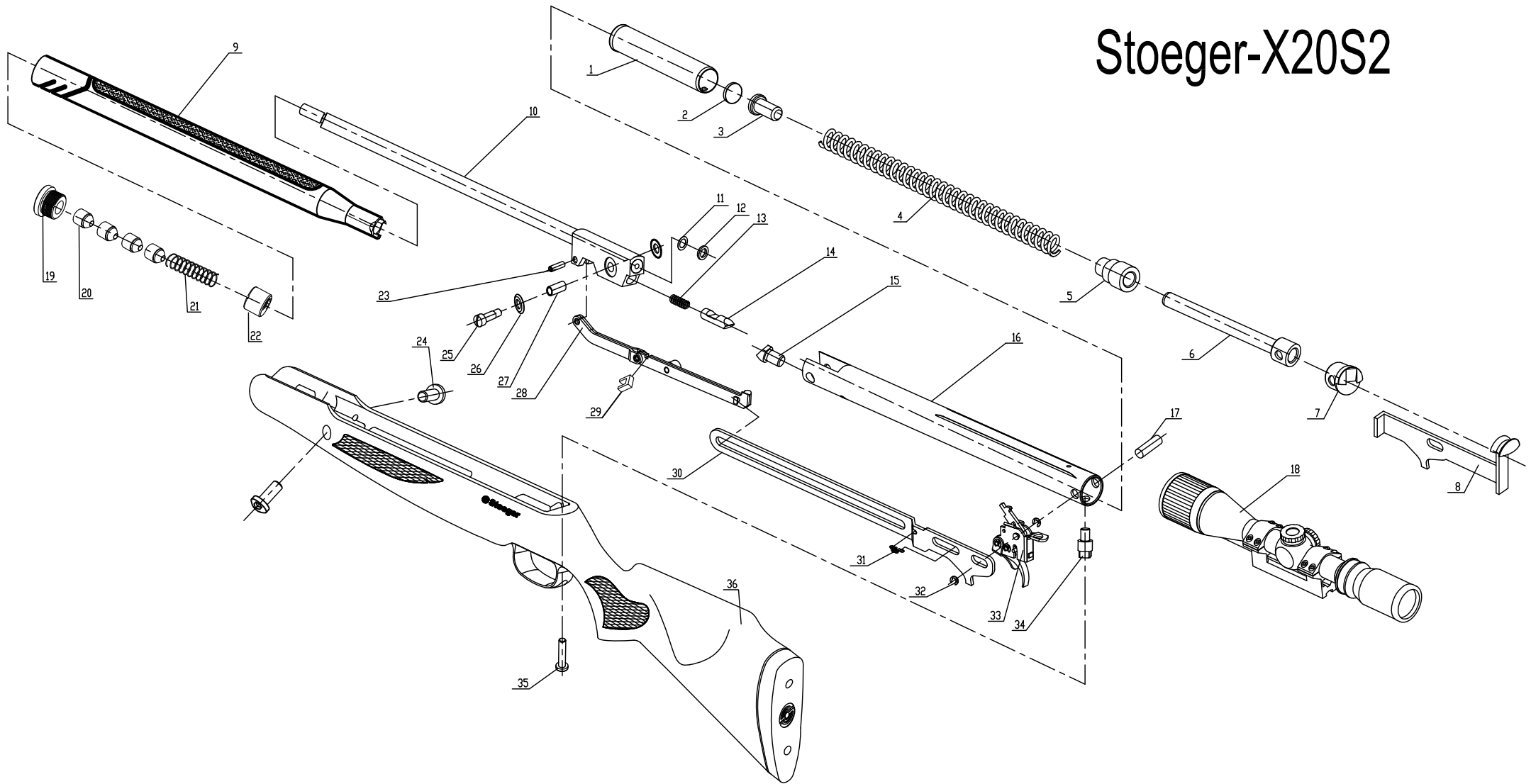


# Stoeger-X20S2



| No. | Code Name           | Part Name                 | X20S2 Beretta | X20S2 Benellia | Easy-broken parts 2% free |   | Revised Date |
|-----|---------------------|---------------------------|---------------|----------------|---------------------------|---|--------------|
| 1   | B18-04-00           | Piston Assembly           | 1             | 1              | Y                         |   |              |
| 2   | B19-21-00-4         | Washer                    |               | 1              | Y                         |   |              |
| 3   | B19-19-00-2         | Spring Guide              | 1             | 1              |                           |   |              |
| 4a  | B3-00-7B(7.5J)      | Piston Spring             | 1             | 1              |                           | just for the model which remark "7.5J"    |              |
| 4b  | B19-4-00-1(10J)     | Piston Spring             | 1             | 1              | Y                         | just for the model which remark "10"      |              |
| 4c  | B19-00-4B(16J)      | Piston Spring             | 1             | 1              | Y                         | just for the model which remark "16J"     |              |
| 4d  | B18-00-4D(max)      | Piston Spring             | 1             | 1              | Y                         |   |              |
| 5   | B18-00-6            | Spring Guide Cross Pin    | 1             | 1              |                           |   |              |
| 6   | B19-00-100          | Spring Guide Assembly     | 1             | 1              |                           |   |              |
| 7   | B19-19-00-4         | Tube Cover                | 1             | 1              | Y                         |   |              |
| 8   | B19-19-07-00        | Safety Assembly           | 1             | 1              | Y                         |   |              |
| 9   | X20S2-00-1          | Muzzle Break              | 1             | 1              |                           |   |              |
| 10a | X20S2-01-100        | Barrel Assembly 4,5mm     | 1             | 1              |                           | just for the model which remark cal 4,5mm |              |
| 10b | X20S2-01-100(5.5)   | Barrel Assembly 5,5mm     | 1             | 1              |                           | just for the model which remark cal 5.5mm |              |
| 11  | B22-00-1A           | Adjust Washer             | 0-2           | 0-2            |                           |   |              |
| 12  | B12-00-14           | Breach Seal               | 1             | 1              | Y                         |   | 04/24/10     |
| 13  | CY6M77-01-4         | Spring                    | 1             | 1              |                           |   |              |
| 14  | B18-01-2B           | Alive Jam                 | 1             | 1              | Y                         |   |              |
| 15  | B18-00-2            | Detent                    | 1             | 1              |                           |   |              |
| 16  | B19-19-03-00        | Tube Assembly             | 1             | 1              |                           |   |              |
| 17  | B18-00-7            | Tube Pin                  | 1             | 1              |                           |   |              |
| 18  | CRG4X32             | Scope with 2 rings mount  | 1             | 1              |                           | just for X20S which remark "combo"        |              |
| 19  | B19-21-00-1         | Sleeve Cover              | 1             | 1              |                           |   |              |
| 20  | B19-21-00-2         | Silencer Muzzle           | 4             | 4              |                           |   |              |
| 21  | B19-21-00-3         | Silencer Spring           | 1             | 1              |                           |   |              |
| 22  | X20S2-00-2          | Lock Nut                  | 1             | 1              |                           |   |              |
| 23  | B12-00-1B           | Lever Pin                 | 1             | 1              | Y                         |   |              |
| 24  | GB/T 818-2000 M5X14 | Pan Head Screws - nylok   | 2             | 2              | Y                         |   |              |
| 25  | B19-2-00-2A         | Break Bolt                | 1             | 1              |                           |   |              |
| 26  | B18-00-15B          | Break Washer              | 2             | 2              | Y                         |   |              |
| 27  | B18-01-1C           | Break Bushing             | 1             | 1              |                           |   |              |
| 28  | B19-19-08-00A       | Lever Assembly            | 1             | 1              |                           |   |              |
| 29  | B22-00-13           | Lever cutting sleeve      | 1             | 1              | Y                         |   |              |
| 30  | B18-00-5B           | Bear trap Lever           | 1             | 1              | Y                         |   |              |
| 31  | B19-19-00-5         | Bear trap S pring         | 1             | 1              |                           |   |              |
| 32  | GB896-86 3          | Bear trap Bolt            | 2             | 2              | Y                         |   |              |
| 33  | B19-19-05-00        | Trigger Pack Assembly     | 1             | 1              |                           |   |              |
| 34  | B18-00-9            | Stock Bolt                | 1             | 1              | Y                         |   |              |
| 35  | GB 823-88 M6X20     | Small pan head screws     | 1             | 1              | Y                         |   |              |
| 36  | B19-19-a-06-00      | Synthetic Stock Assembled | 1             | 1              |                           | Include one Stock pad and two screws      |              |